

# Arc 100

PENDANT



## SPECIFICATION SHEET

Arc 100



### Model 1695<sup>1</sup>

#### Type

P Pendant

#### Size

Specify radius

Specify length

For customized shapes, please include a layout drawing or advise desired shape

#### Wattage<sup>2,3</sup>

##### Direct<sup>4</sup>

LD  
3 W/ft (400 lm/ft)  
10 W/m (1,335 lm/m)  
MD  
6 W/ft (743 lm/ft)  
20 W/m (2,475 lm/m)

##### Indirect<sup>5</sup>

LI  
3 W/ft (400 lm/ft)  
10 W/m (1,335 lm/m)  
MI  
6 W/ft (743 lm/ft)  
20 W/m (2,475 lm/m)

XD – No Direct

XI – No Indirect

#### Color Temp<sup>6</sup>

30 3000  
35 3500  
40 4000

#### Voltage

2 220/240 Volt

#### Driver

RD Remote

#### Control - RD

S Non-dim  
D010 0-10V  
DALI DALI  
SWD SwitchDIM

#### Diffuser Bottom

SW Satin opal acrylic  
CB Aluminum – painted to match the fixture

#### Diffuser Top

SA Satin clear acrylic  
CT Aluminum – painted to match the fixture

#### Finish<sup>7</sup>

19 Painted anodized aluminum - RAL 9006 matte  
21 Painted white - RAL 9010 matte  
26 Painted black - RAL 9005 matte  
22 Painted custom color

#### Mounting

SC Straight cables

#### Circuit

CS Circuit - Single  
CD Circuit - Dual

#### Power Cable<sup>8</sup>

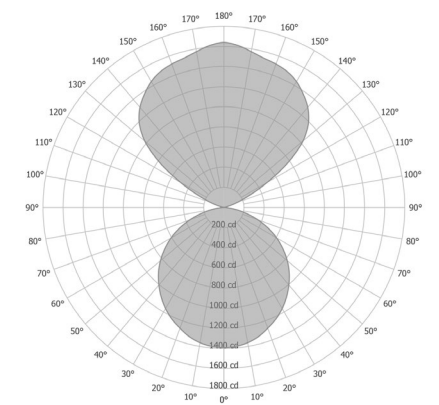
CC Clear insulated cable (standard)  
WC White cable  
BC Black cable

#### Notes

- 1 Separately specify any downlighting elements
- 2 Nominal lumens value specified
- 3 Linear LED board, constant voltage 24 Volt
- 4 For no Direct light specify XD
- 5 For no Indirect light specify XI
- 6 90+ CRI standard
- 7 Canopy finish matches housing
- 8 96" standard cable length

#### Example fixture number:

1695 – P – R x L – LD – LI – 30 – 2 – RD – S – SW  
– SA – 19 – SC – CS – CC

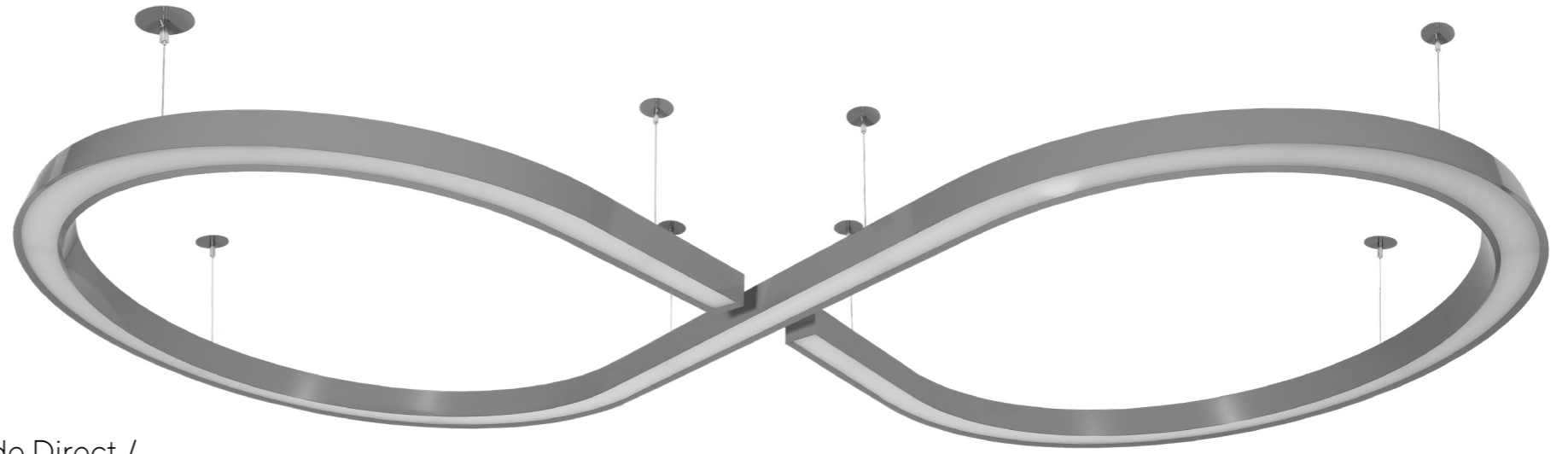




# Arc 100

PENDANT

Arc 100 is a completely customizable channel designed to provide Direct / Indirect lighting. Option with indirect lighting and solid bottom with suspended luminaires creates a stunning effect. Open arcs, ellipses, and compound curves can be realized to exact dimensions. The simple expression of infinity and the luminous power of light was the inspiration for the development of the Arc.



#### Size

Specify radius

Specify length

For customized shapes, please include a layout drawing or advise desired shape



- \* 65mm x 100mm fixture body profile
- \* Straight cables mounting option
- \* Hairline fixture segments connection



# Arc 100

PENDANT



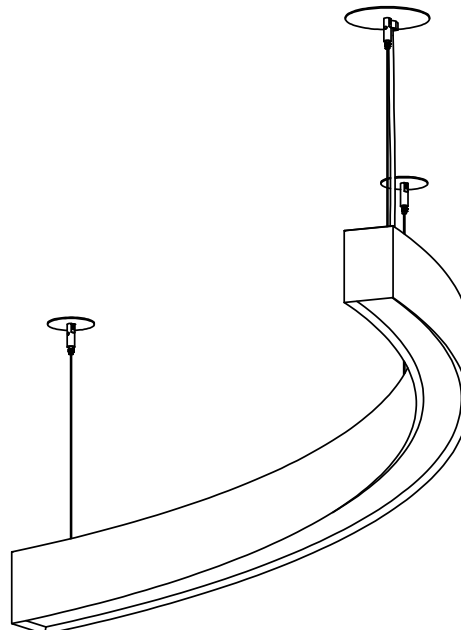
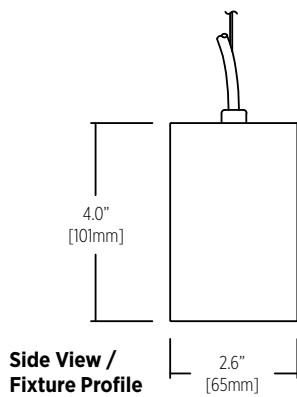
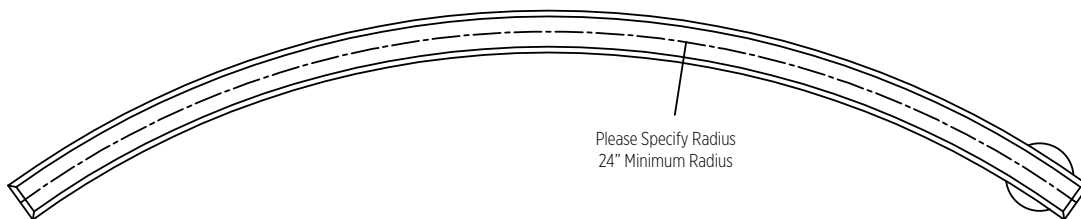
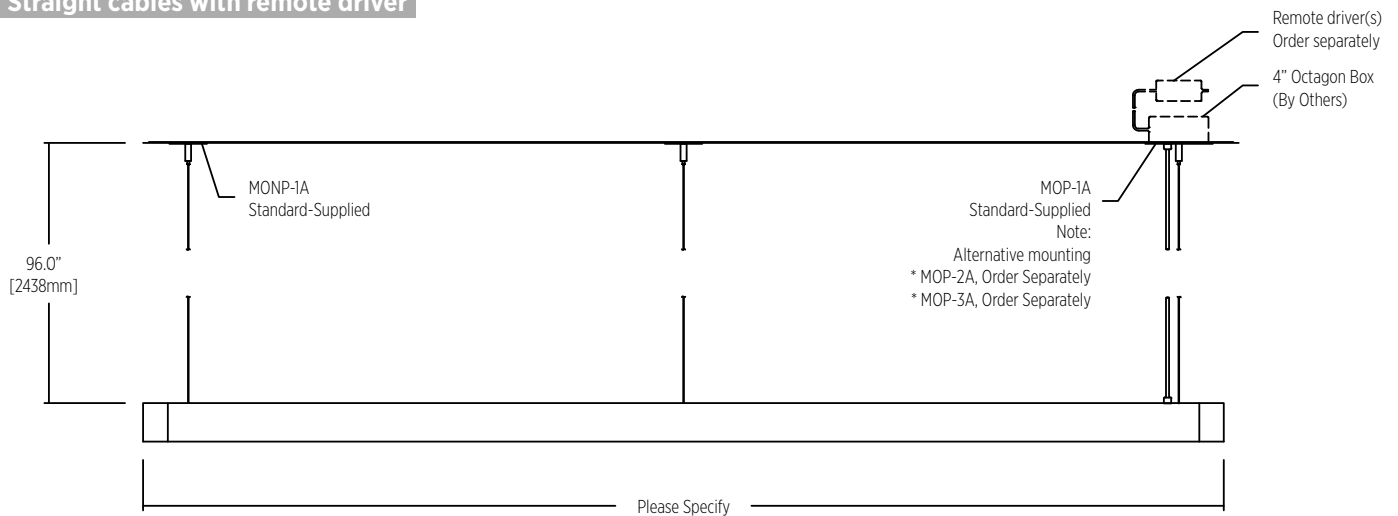
## SPECIFICATION SHEET

Arc 100



### INSTALLATION TYPE

#### Straight cables with remote driver



**Note:**  
See page 3 & 4 for mounting options

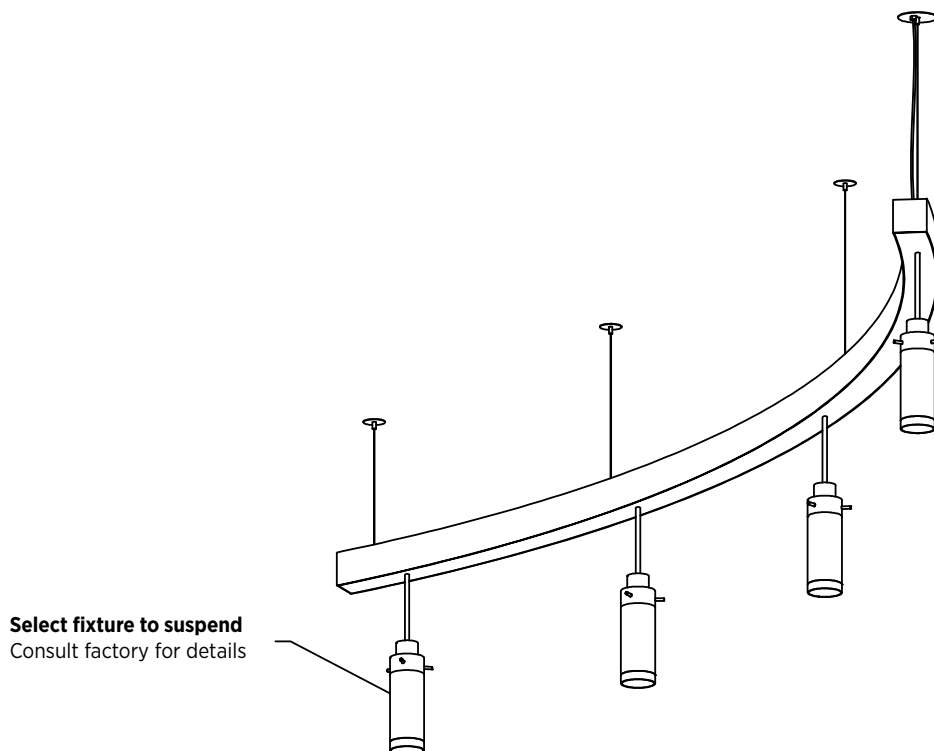
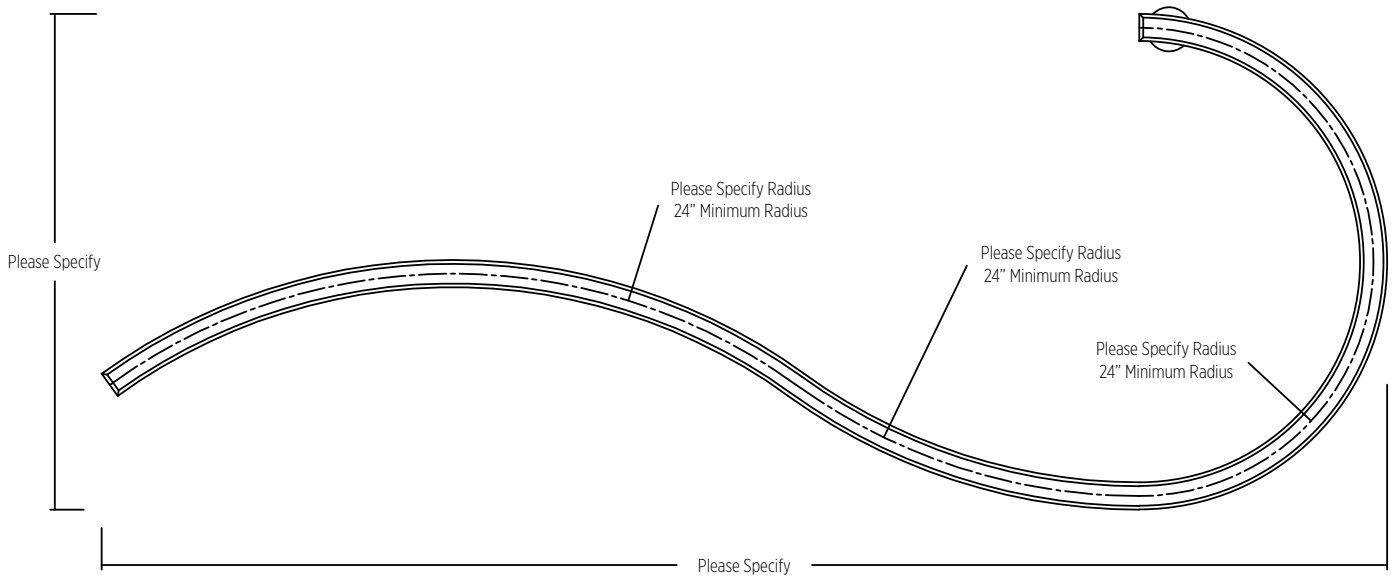
# Arc 100

PENDANT



## SPECIFICATION SHEET

Arc 100



# Arc 100

PENDANT



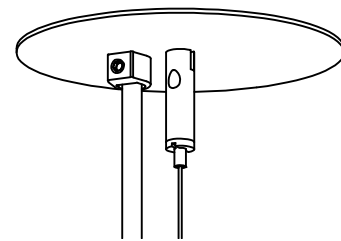
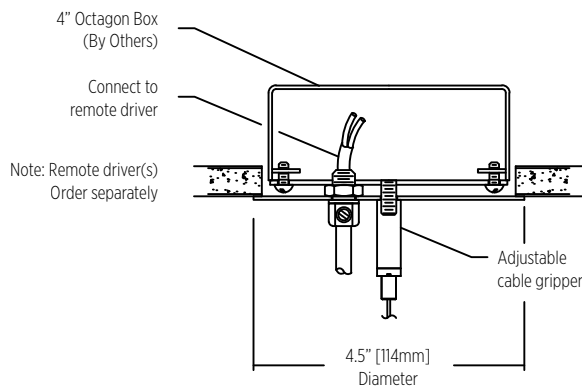
## SPECIFICATION SHEET

Arc 100



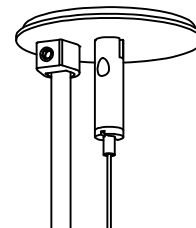
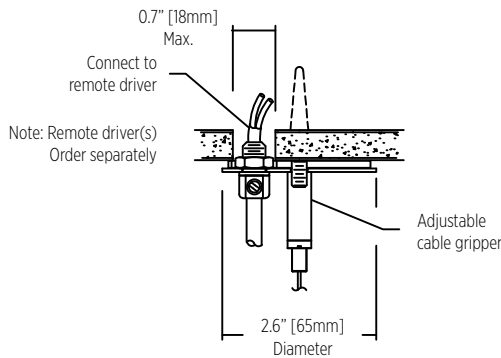
### STRAIGHT CABLES MOUNTING OPTION - POWER

#### MOP-1A Standard - Supplied



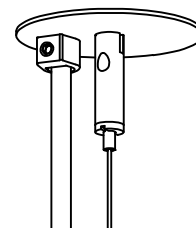
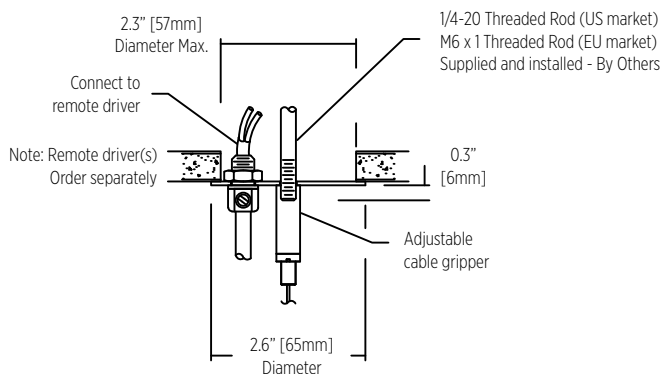
Mounting Option Power 1A  
Octagon Box (By Others)  
Installed in drywall, wood or concrete ceiling

#### MOP-2A-1 Order Separately



Mounting Option Power 2A-1  
Suspension assembly  
Installed in drywall or wood ceiling

#### MOP-2A-2 Order Separately



Mounting Option Power 2A-2  
Suspension assembly  
Installed in drywall or wood ceiling

# Arc 100

PENDANT

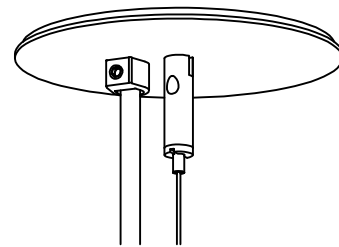
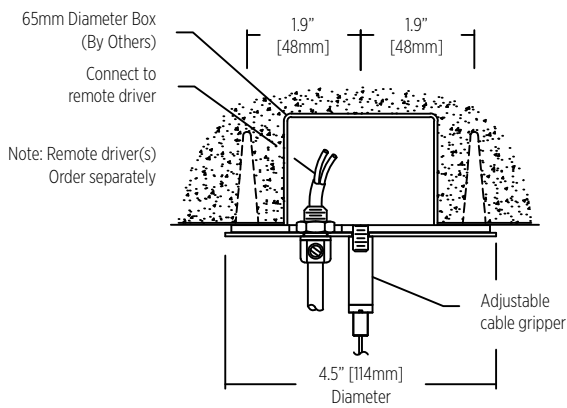


## SPECIFICATION SHEET

Arc 100



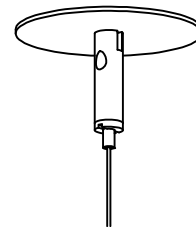
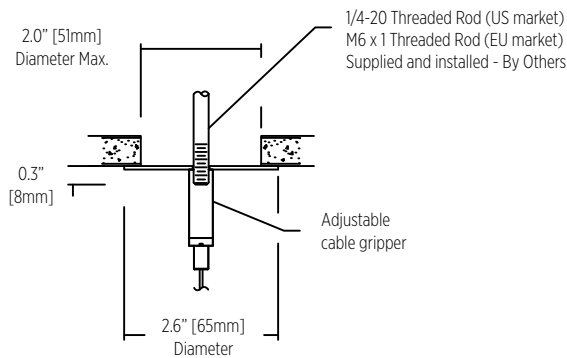
### MOP-3A Order Separately



Mounting Option Power 3A  
65mm Diameter Box (By Others)  
Installed in drywall, wood or concrete ceiling

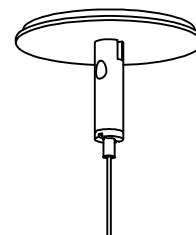
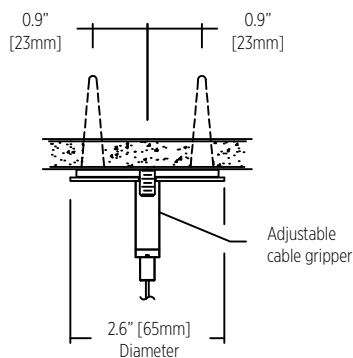
### STRAIGHT CABLES MOUNTING OPTION - NON POWER

#### MONP-1A-1 Standard - Supplied



Mounting Option - Non Power  
Threaded Rod installed  
to structural ceiling (By Others)

#### MONP-1A-2 Alternative - Supplied



Mounting Option - Non Power  
Suspension Assembly  
Installed in drywall, wood or concrete ceiling